

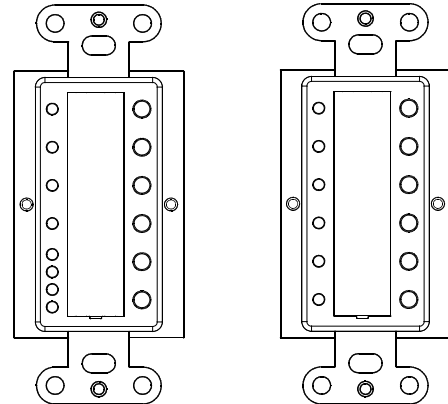
PWS-4/PWS-6

Programmable Wall Station Front Units



Key Features:

- Up to three front units in a wallstation - easy daisy chaining of any combination PWS-4/6 modules using included connection wire
- Easy labeling of buttons - label field protected by transparent cover
- Configuration via IRIS-Net - Buttons and LEDs can be used for various functions.
Check the PWS manual and IRIS-Net documentation for more details



General Description:

The Programmable Wall Stations (PWS) are modular standard mount keypads for Electro-Voice NetMax systems. Typical applications are volume control, source selection, preset selection and room combining.

The PWS-4/PWS-6 front units install in standard electrical gang box. A PWS-C CAN coupler is required to use PWS-4/PWS-6 modules.

Technical Specifications:

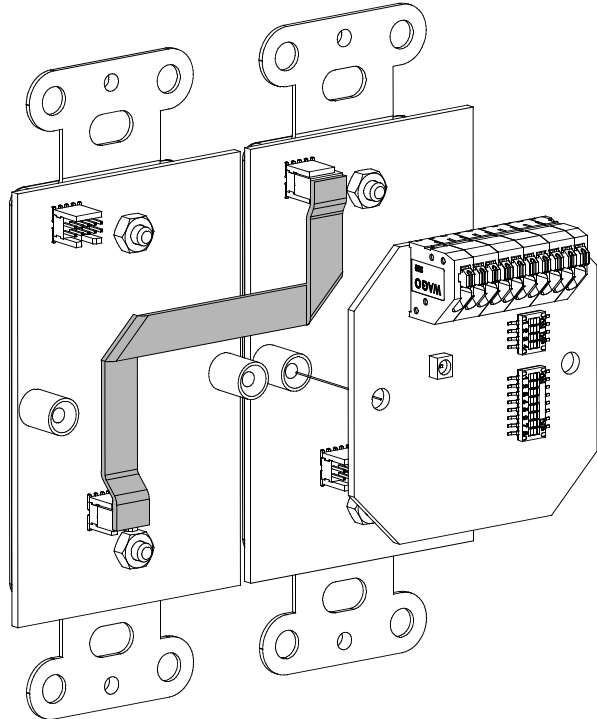
	PWS-4	PWS-6
Supply Voltage (via PWS-C):	5 V DC	
Supply Current (via PWS-C):	35 mA	30 mA
Max. Power Consumption:	175 mW	150 mW
Buttons:	4 with green Status LED 2 Up/Down with LED Chain (4 green LEDs)	6 with green Status LED
Operating Temperature Range:	-5 °C ... 40 °C	
Dimensions (W x H x D):	48 x 105 x 34 mm	
Weight:	80 g	

Contents:

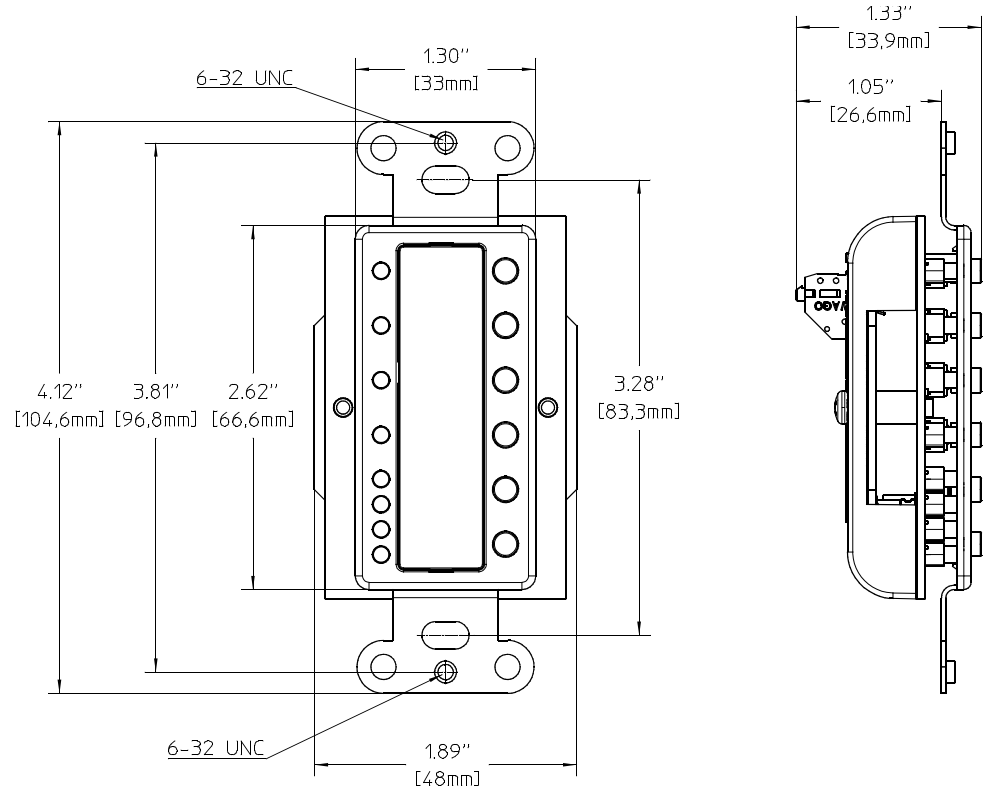
Quantity	Description
1	Technical Information, PWS-4/PWS-6
1	PWS-4/PWS-6 Front Unit
1	Connection Wire
1	Protection Cover
2	Screws, M3 x 12
2	Spacers



Front Unit Connection:



Dimension Drawing:



Electro-Voice®

12000 Portland Avenue South, Burnsville, MN 55337
 Phone: 952/884-4051, Fax: 952/884-0043

www.electrovoice.com

© Bosch Communications Systems 07/2008

Part Number LIT000xxx Rev 1

U.S.A. and Canada only. For customer orders, contact Customer Service at:
800/392-3497 Fax: 800/955-6831

Europe, Africa, and Middle East only. For customer orders, contact Customer Service at:
+ 49 9421-706 0 Fax: + 49 9421-706 265

Other International locations. For customer orders, Contact Customer Service at:
+ 1 952 884-4051 Fax: + 1 952 887-9212

For warranty repair or service information, contact the Service Repair department at:
800/685-2606

For technical assistance, contact Technical Support at: **866/78AUDIO**

Specifications subject to change without notice.